

## 72 LED Upgrade Kit Installation Guide

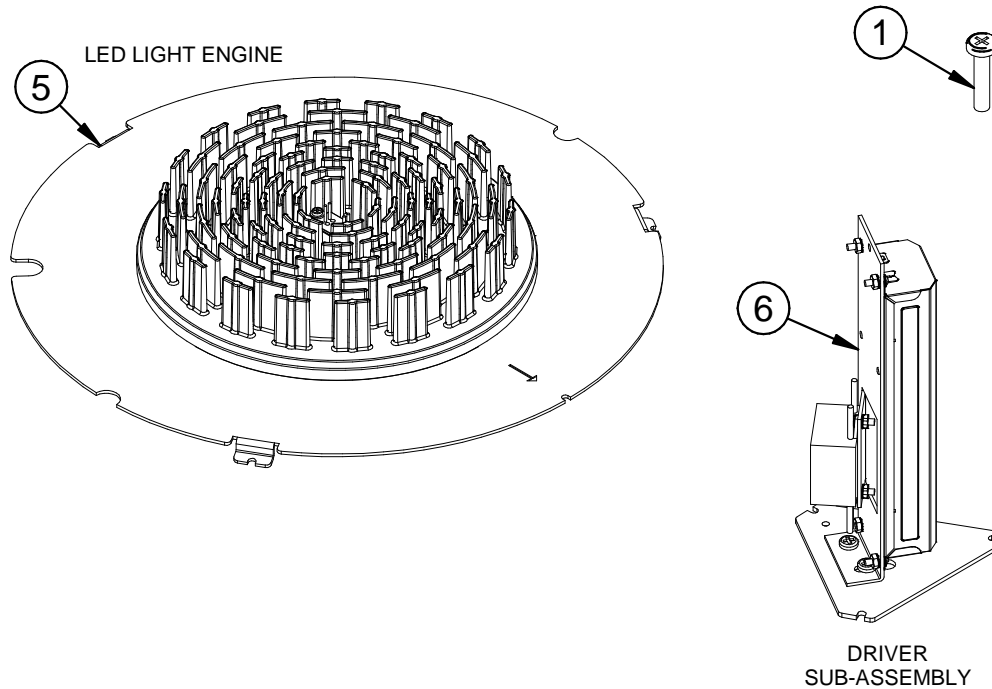
Fixture: PRMS - Promenade 72LED



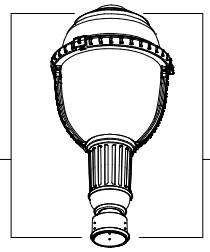
**WARNING:** Fixtures must be grounded in accordance with local codes or the National Electrical Code. Failure to do so may result in serious personal injury.

**MAINTENANCE:** A regularly scheduled maintenance program should be established to retain optimum light output and reduce heat retention. Dusting with a soft, clean, dry cloth is normally sufficient for the optics.

**CAUTION:** All wiring must be done by a qualified electrician. KEEP THIS SHEET FOR FUTURE REFERENCE.



ITEM #	PART NO	QTY	DESCRIPTION	NOTE
1	A84134	3	8-32 X 1/2" SCREW	
2	93100775	1	INSTALLATION INSTRUCTIONS	
3	XXXXX	1	LIGHT ENGINE ASSY	
4	XXXXX	1	DRIVER ASSY	



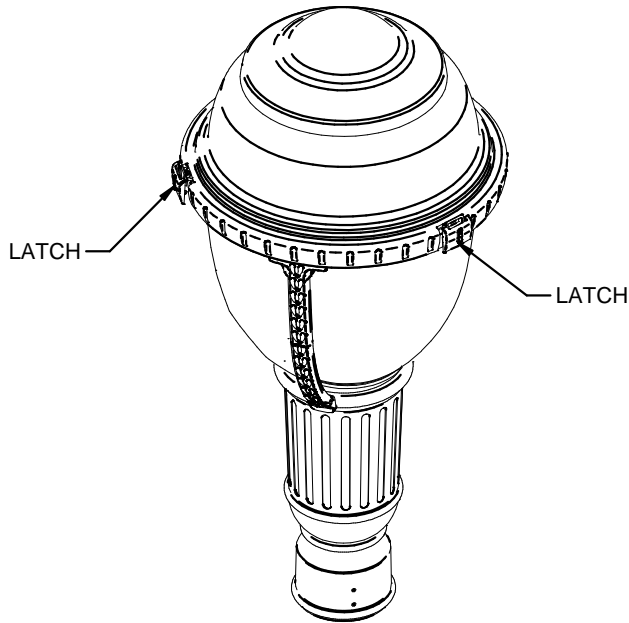
# 72 LED Upgrade Kit Installation Guide

Fixture: PRMS - Promenade 72LED

## 1. SAFTY PRECAUTIONS AND FIXTURE ACCESS



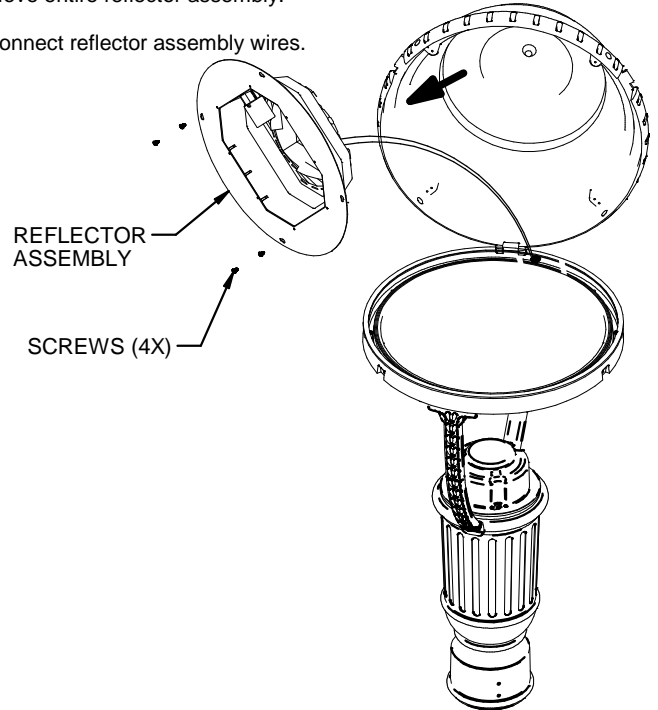
1. Turn off all power to the unit and take all proper safety precautions.
2. Open both latches and lift fixture dome.



## 2. REFLECTOR ASSEMBLY AND HARDWARE REMOVAL

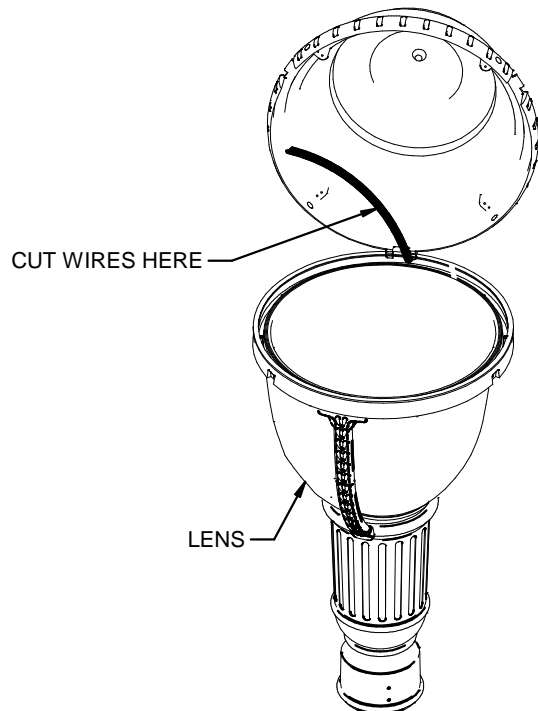
(APPLICATIONS VARY, GENERIC EXAMPLE SHOWN)

1. Remove entire reflector assembly.
2. Disconnect reflector assembly wires.



## 3. CUT EXISTING INCOMING POWER WIRES

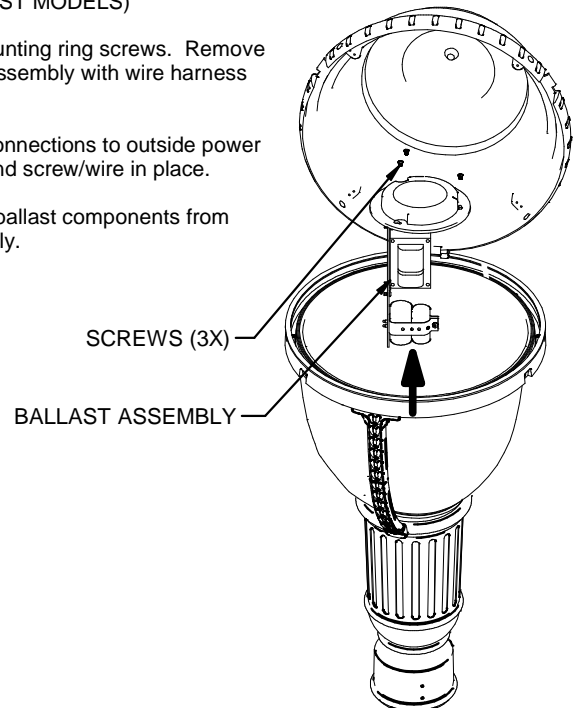
1. Cut feed wires.

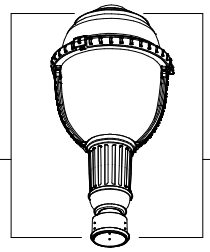


## 4. BALLAST ASSEMBLY AND HARDWARE REMOVAL

(MOST MODELS)

1. Loosen mounting ring screws. Remove entire ballast assembly with wire harness and discard
2. Detach all connections to outside power but leave ground screw/wire in place.
3. Remove all ballast components from ballast assembly.



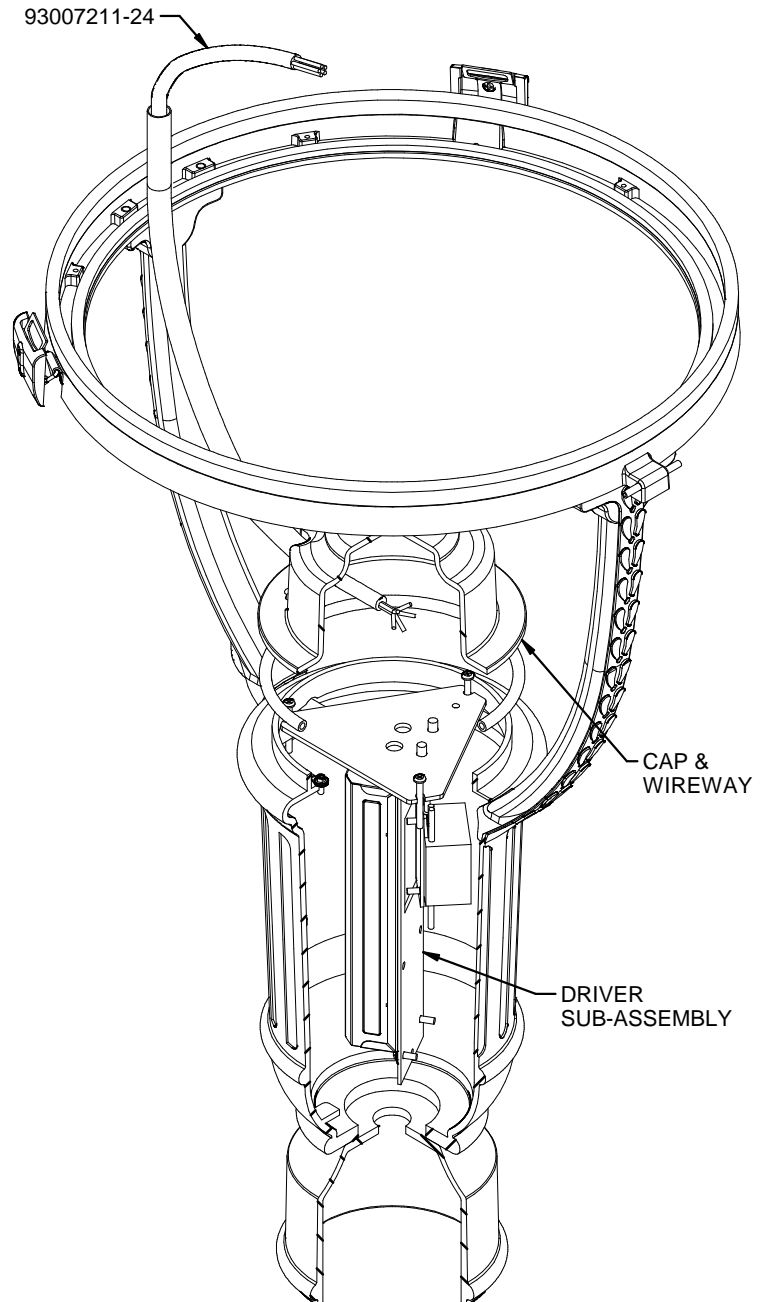
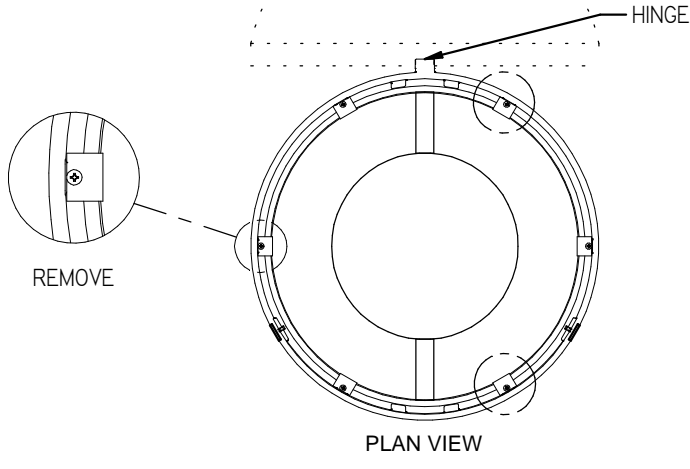


## 72 LED Upgrade Kit Installation Guide

Fixture: PRMS - Promenade 72LED

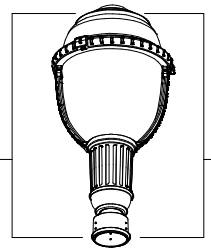
### 5. REMOVE THREE (3) LENS CLIPS

1. Remove Lens Clips in these three locations. Discard the three (3) lens clips and screws, they will not be re-used.
2. (Optional) - If the lens will be changed, remove all six (6) lens clips and change the lens.



### 6. REWIRING FIXTURE

1. Some installations may not have wires running to the top of the fixture. If so, route all 3 provided wires thru arm on fixture. Attach supplied Wire Harness to the black, white, and green wires as shown.
2. Attach wires to incoming power in the lower section of the fixture.
3. Replace cast cover using the existing hardware.

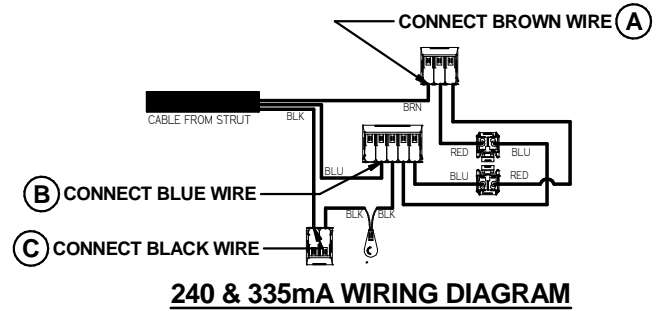
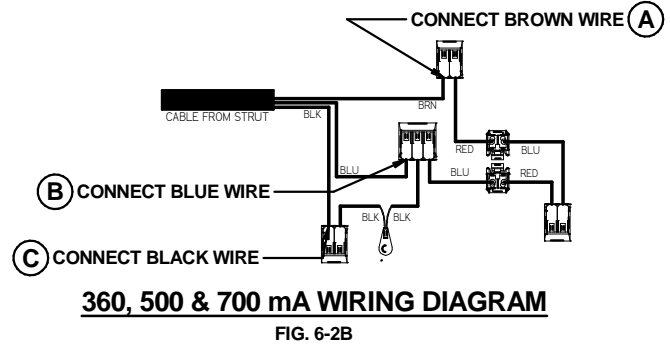
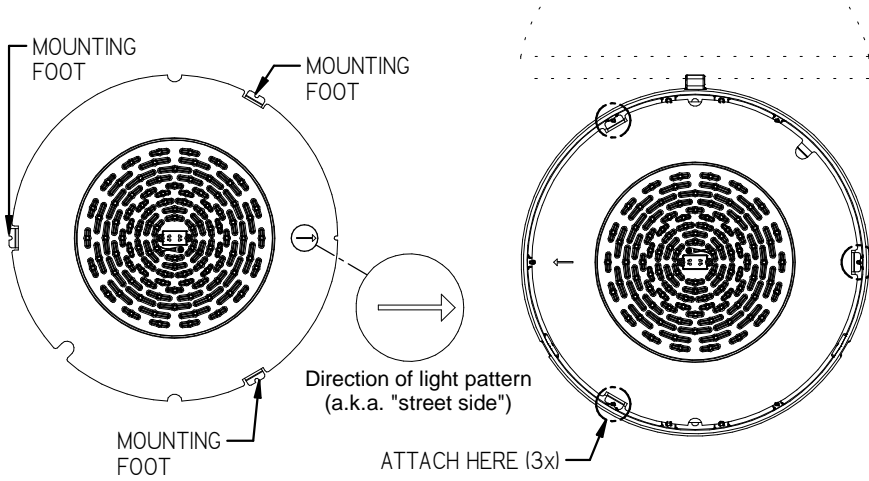


# 72 LED Upgrade Kit Installation Guide

Fixture: PRMS - Promenade 72LED

## 7. INSTALLATION OF LED LIGHT ENGINE

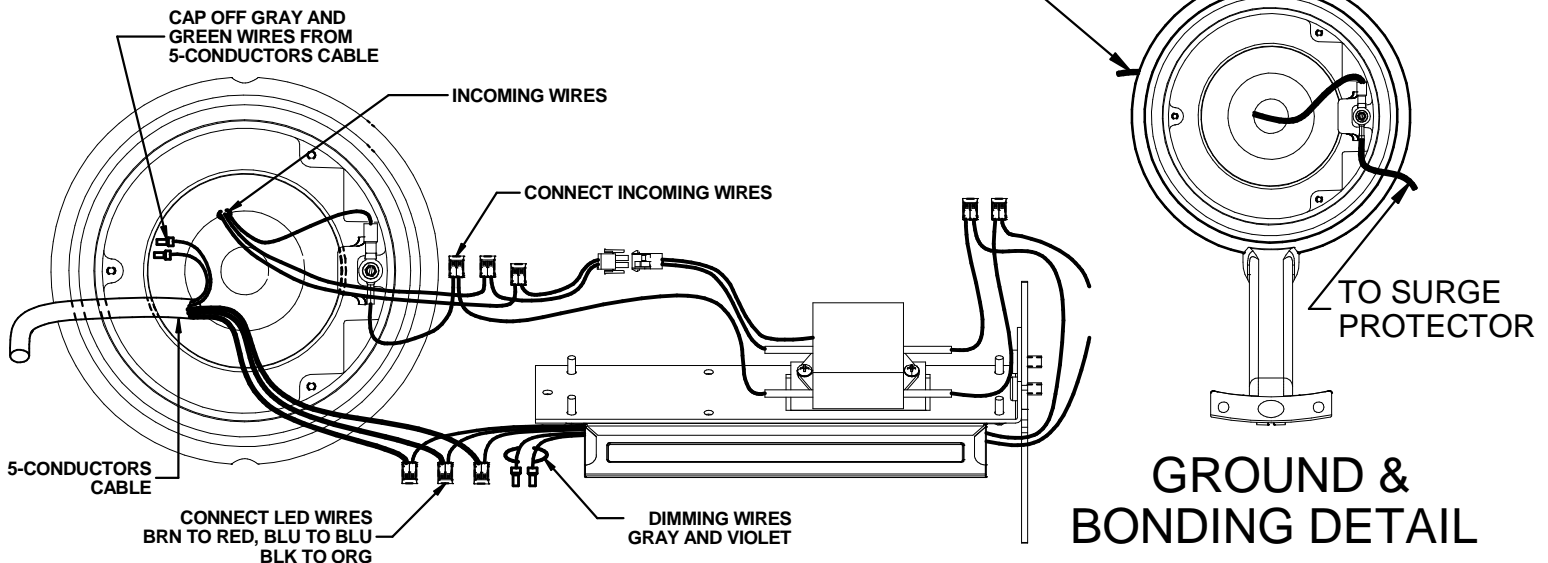
- Note direction of light pattern with arrow on deck.
- Install LED Light Engine directly to the lens frame with the supplied 1/2" screws, which are shorter than the existing screws.

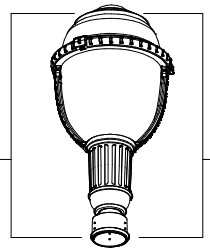


PLAIN VIEW

## 8. CONNECT WIRES TO INCOMING POWER

- Power leads are standard Black, White, and Green. See below for details.
- Occupancy Sensor (optional) will be pre-wired into the LED assembly and no additional wiring is required.





## 72 LED Upgrade Kit Installation Guide

Fixture: PRMS - Promenade 72LED

### 9. COMPLETING INSTALLATION.

1. After closing lid, secure both latches making sure fixture is closed correctly.
2. Turn power on to make sure light fixture is running properly.
3. Installation complete.

